

# ELEMENTS EX12+20

# SONOROUS<sup>®</sup>

Made in Europe



Tempered Safety Glass



No Assembly Required



Cable Management System



Max Weight Top 50 Kgs



EX12-F-BLK-8-B + EX20-FD-AMZ-8-C

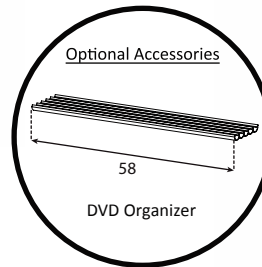
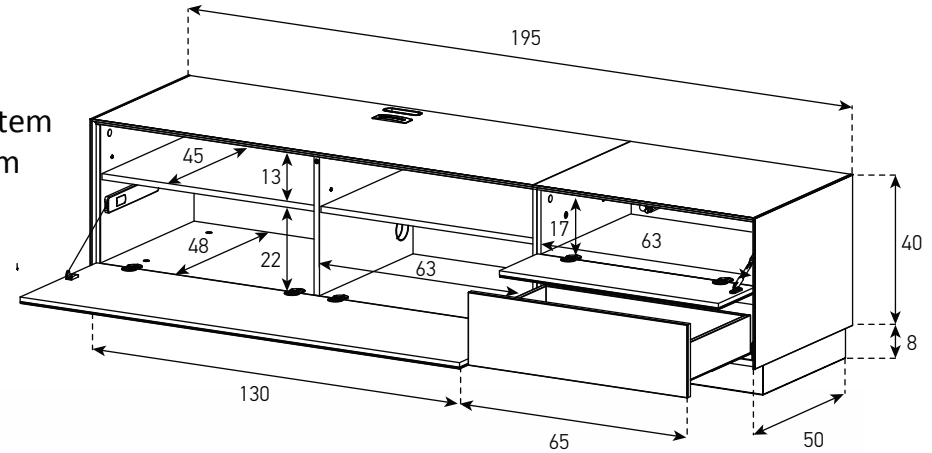
## IR REPEATER

Controls Up To 8 AV Components



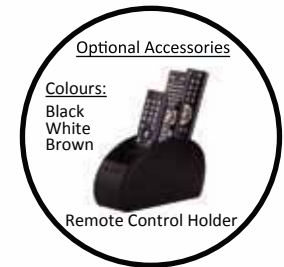
- 
- HIDDEN IR REPEATER BOX
- 
- 3 OUTPUT EMITTERS (1 mm) CORD, 3 OUTPUT EMITTERS (2mm) CORD
- 
- IR RECEIVER WITH 1m CORD AND 4-PIN DIN CONNECTOR
- 
- PLUG-IN POWER SUPPLY

195 W x 55 D x 48 H cm  
 Flap Door with Push to Open System  
 Drawer with Push to Open System  
 Infrared Repeater System  
 2 Years Warranty



Optional Accessories

58  
DVD Organizer



Optional Accessories

Colours:  
Black  
White  
Brown

Remote Control Holder



EX12-F-WHT-8-B + EX20-FD-OAK-8-C

### SPECIAL ORDERS

The Sonorous Elements Range has many colour and cabinet options available just for you. Special ordering will enable an exacting match to your home décor and give you some European flavour right in your living room. If you would like to know more about special orders, please view the **Sonorous Elements Full Line Catalogue**

Full line Catalogue available at your Harvey Norman Electrical store or email [info@avsupply.co.nz](mailto:info@avsupply.co.nz) for your personal copy. Special orders can be placed through your local Harvey Norman Electrical Store. Delivery will be approximately 12 - 16 weeks from date of order.